



Branded Beautifully, Inspired Naturally



Window Treatment Project Guide



Branded Beautifully, Inspired Naturally

Drapery Expertise





Branded Beautifully, Inspired Naturally

Drapery Expertise





Branded Beautifully, Inspired Naturally

Drapery Expertise





Branded Beautifully, Inspired Naturally



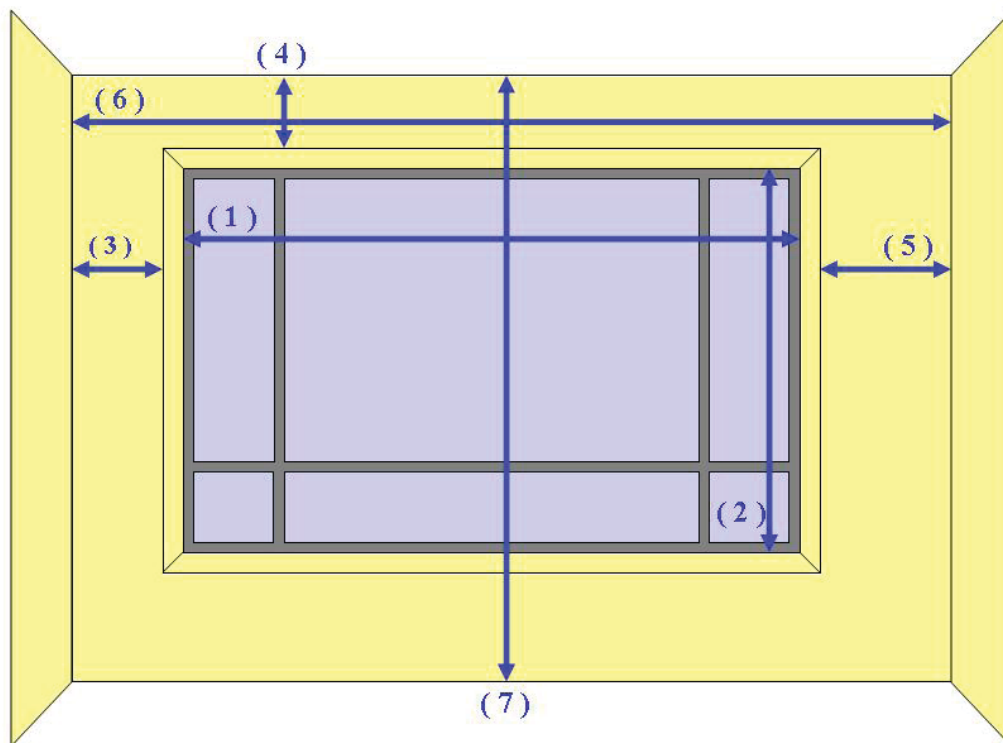
Expert measurement, project management
and installation by Koni Hospitality.

Actual Window and Measurement



(#) Column Number on lotus file

Ceiling: (8)



Floor: (9)



Branded Beautifully, Inspired Naturally

Precise Measurements

MEASURE DATE: Feb 08 2007										MEASURE PERSON: Carlos Monsivais				
JOB NAME:										CONTACT:				
Westin Memphis														
ADDRESS:										POSITION:				
										N/A				
EXISTING HDWR: None										PHONE #:		FAX #: N/A		
										€				
Arrow on Drawing =>				(1)	(2)	(3)	(4)	(5)	(6)	(7)	(8)	(9)		
ITEM No.	Type	Room Number	Window Location	Window Width	Window Length	Window to Left Wall	Top of Window to Ceiling	Window to Right Wall	Wall to Wall	Ceiling to Floor	Ceiling Type	Floor Type	Head Board Location	Notes
1	A	303	n/a	95.000	78.500	10.000	10.000	18.000	123.000	103.875	Concrete	Concrete	L	
2	A	305	n/a	95.000	78.500	17.500	10.000	10.000	122.500	104.250	Concrete	Concrete	R	
3	A	307	n/a	95.000	78.500	9.500	10.000	18.000	122.500	104.500	Concrete	Concrete	L	
4	A	309	n/a	95.000	78.500	18.250	10.000	9.375	122.625	104.500	Concrete	Concrete	R	
5	A	311	n/a	95.000	78.500	9.750	10.000	23.375	128.125	104.375	Concrete	Concrete	L	
6	A	317	n/a	95.000	78.500	30.875	10.000	9.500	135.375	104.250	Concrete	Concrete	R	
7	A	318	n/a	95.000	78.500	9.625	10.000	31.125	135.750	104.500	Concrete	Concrete	L	
8	A	319	n/a	95.000	78.500	13.500	10.000	30.625	139.125	104.000	Concrete	Concrete	L	
9	A	320	n/a	95.000	78.500	30.125	10.000	13.375	138.500	104.375	Concrete	Concrete	R	
10	A	321	n/a	95.000	78.500	31.125	10.000	9.375	135.500	104.375	Concrete	Concrete	R	
11	A	322	n/a	95.000	78.500	9.500	10.000	31.000	135.500	104.000	Concrete	Concrete	L	
12	A	323	n/a	95.000	78.500	13.000	10.000	31.000	139.000	104.875	Concrete	Concrete	L	
13	A	324	n/a	95.000	78.500	30.250	10.000	12.750	138.000	104.625	Concrete	Concrete	R	
14	A	325	n/a	95.000	78.500	31.125	10.000	9.375	135.500	104.875	Concrete	Concrete	R	
15	A	326	n/a	95.000	78.500	9.500	10.000	31.000	135.500	104.625	Concrete	Concrete	L	
16	A	327	n/a	95.000	78.500	13.500	10.000	30.000	138.500	104.875	Concrete	Concrete	L	
17	A	328	n/a	95.000	78.500	31.000	10.000	12.500	138.500	104.625	Concrete	Concrete	R	
18	A	329	n/a	95.000	78.500	31.125	10.000	9.375	135.500	104.375	Concrete	Concrete	R	
19	A	330	n/a	95.000	78.500	9.750	10.000	31.000	135.750	104.250	Concrete	Concrete	L	
20	A	331	n/a	95.000	78.500	13.500	10.000	30.500	139.000	104.500	Concrete	Concrete	L	
21	A	332	n/a	95.000	78.500	31.000	10.000	12.750	138.750	104.500	Concrete	Concrete	R	
22	A	333	n/a	95.000	78.500	31.125	10.000	9.625	135.750	104.875	Concrete	Concrete	R	
23	A	334	n/a	95.000	78.500	10.000	10.000	30.500	135.500	104.625	Concrete	Concrete	L	
24	A	335	n/a	95.000	78.500	13.500	10.000	23.000	131.500	104.500	Concrete	Concrete	L	
25	A	336	n/a	95.000	78.500	23.750	10.000	12.375	131.125	103.875	Concrete	Concrete	R	



Branded Beautifully, Inspired Naturally

Project Summary

River Stone Resort - Window Treatment Detail by Unit Type														
Recap: # of Windows														
Unit Type	Windows per Unit	# of Units this Type	Total Windows by Unit Type											
A	6	18	108											
B	9	18	162											
C	4	35	140	Note: No window treatments supplied in Unit C, Bldg C #605-365										
D	4	36	144											
E	12	17	204	Note: No window treatments supplied in Unit E, Bldg A #607-167										
Totals		124	758											
Note: Sizes listed below are subject to field verification.														
Unit A Detail:														
Window Location	Type of Cover	Size	Spec #	# Windows this Type & Size/Unit	Total # Windows this Type & Size	Windows Schm #1	#1 Fabric Yds/Each window	Total Yds #1 this window	Fabric Code	Windows Schm #2	#2 Fabric Yds/Each window	Total Yds #2 this window	Fabric Code	
Entry	Roman Shade	36 X 72	IF-141	1	18	12	3	36	1	6	3	18	8	
MBR	Roman Shade	36 X 72	IF-546	2	36	24	1	24	3	12	3	36	10	
Mbath	Wood Blinds	24 X 42	IF-641	1	18		-	-	14		-	-	14	
Kitchen	Roman Shade	36 X 42	IF-243	1	18	12	2	24	2	6	2	12	8	
Living Room Slider	Drapery Pair	96 X 110	IF-444	1	18	12	17.5	210	2	6	17.5	105	8	
				6	108									
Unit B Detail:														
Window Location	Type of Cover	Size	Spec #	# Windows this Type & Size/Unit	Total # Windows this Type & Size	Windows Schm #1	#1 Fabric Yds/Each window	Total Yds #1 this window	Fabric Code	Windows Schm #2	#2 Fabric Yds/Each window	Total Yds #2 this window	Fabric Code	
Dining Room	Roman Shade	48 X 72	IF-341	1	18	11	3	33	2	7	3	21	8	
Dining Room	Roman Shade	24 X 72	IF-342	2	36	22	3	66	2	14	3	42	8	
MBR Slider	Drapery Pair	96 X 110	IF-541	1	18	11	8.5	94	3	7	17.5	123	10	
Living Room Slider	Drapery Panel	144 X 110	IF-442	1	18	11	25.75	283	2	7	25.75	180	8	
Living Room	Drapery Pair	48 X 110	IF-441	2	36	22	11.08	244	2	14	11.08	155	8	
Kitchen	Wood Blinds	36 X 42	IF-241	1	18	11	-	-	14	7	-	-	14	
Guest Bedroom	Drapery Pair	84 X 110	IF-741	1	18	11	16.5	182	4	7	16.5	116	11	
				9	162									

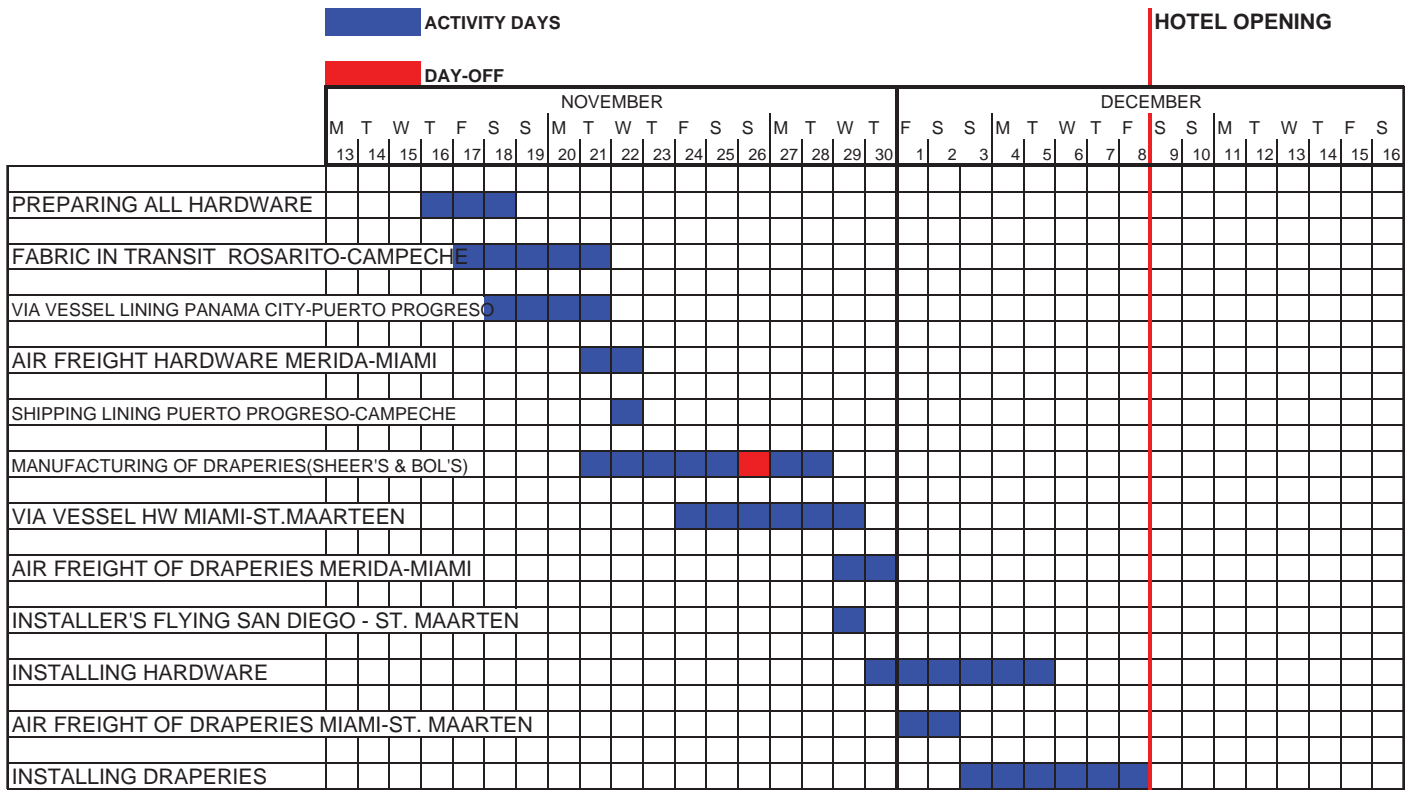


Branded Beautifully, Inspired Naturally

Project Management

SCHEDULE FOR PRODUCT DELIVERY AND INSTALLATION

**S.O. 60810 THE WESTIN DAWN BEACH RESORT AT ST. MAARTEN
349 SETS OF RIPPLEFOLD BOL'S & SHEER DRAPERIES**





Branded Beautifully, Inspired Naturally

Installation





Branded Beautifully, Inspired Naturally

Sign-Off Sheet

DATE:	12-Jun-08			INSTALLER:				
JOB NAME:	COOS BAY HOTEL			CONTACT:	RICHARD RUDDER			
S.O.#:	64944			POSITION:	DIRECTOR OF FACILITIES MANAGEMENT			
ADDRESS:	COOS BAY HOTEL			PHONE FAX:	(541) 756-8800			
	3201 TREMONT AVENUE				(541) 756-0327			
	NORTH BEND OREGON 97459			KOJO PROJECT MANAGER:	LUIS TORRES			
ITEM	RM#	ROOM TYPE	BOL	SHEER		HW	BATONS	NOTES
1	300	TGR	•	•		•	•	
2	301	TGR	•	•		•	•	
3	302	TGR	•	•		•	•	
4	303	TGR	•	•		•	•	
5	309	TGR	•	•		•	•	
6	310	TGR	•	•		•	•	
7	311	TGR	•	•		•	•	
8	312	TGR	•	•		•	•	
9	313	TGR	•	•		•	•	
10	314	TGR	•	•		•	•	
11	315	TGR	•	•		•	•	
12	316	TGR	•	•		•	•	
13	317	TGR	•	•		•	•	
14	318	TGR	•	•		•	•	
15	319	TGR	•	•		•	•	
16	320	TGR	•	•		•	•	
17	321	TGR	•	•		•	•	
18	322	TGR	•	•		•	•	
19	323	TGR	•	•		•	•	
20	324	TGR	•	•		•	•	
21	400	TGR	•	•		•	•	
22	401	TGR	•	•		•	•	
23	402	TGR	•	•		•	•	
24	403	TGR	•	•		•	•	
25	409	TGR	•	•		•	•	
26	410	TGR	•	•		•	•	



Total Soft Goods Solution

Branded Beautifully, Inspired Naturally



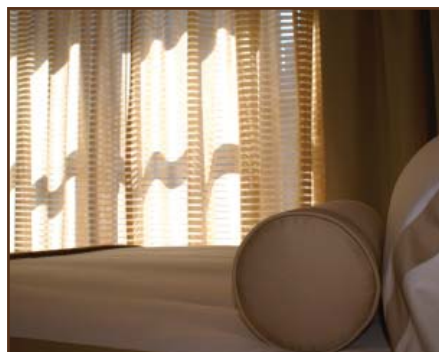
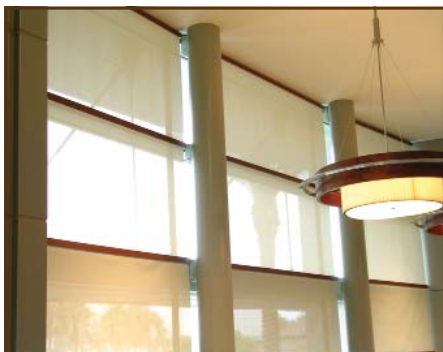
Bedding Solutions

- Duvet Ensembles
- Bed Linens
- Bed Scarves
- Bed Skirts



Comfort Solutions

- Pillows
- Mattress Toppers
- Blankets
- Protectors



Window Solutions

- Draperies
- Solar Shades
- Blackout Shades
- Hardware



Bath Solutions

- Shower Curtains & Rods
- Towels
- Robes