



The Shade 2 Shade

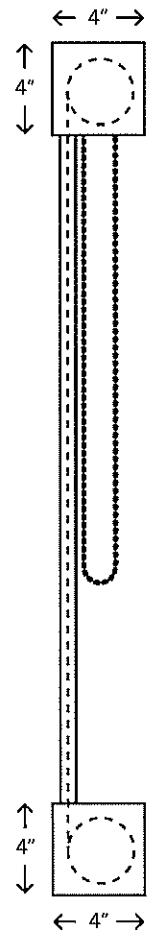
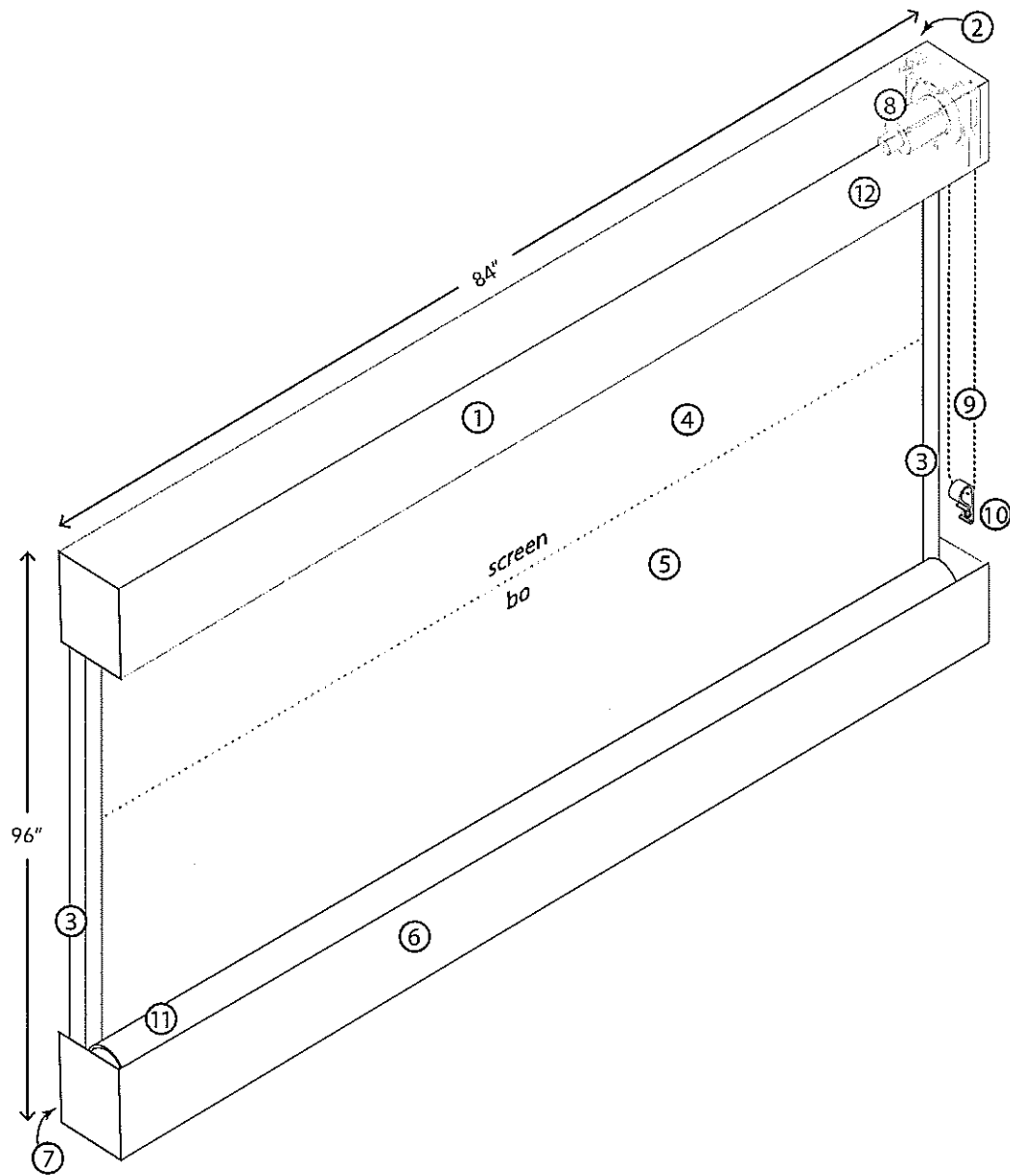
Blackout 2 Solar Shade in 1 Treatment



The Shade 2 Shade Advantage:

This amazing window treatment combines two treatments in one. Architecturally clean, giving total light control to your guest.

- * Perfect over a PTAC unit. Eliminates the sheer blow scenario.
- * Unlimited design options with fabric lamination and printed graphics.
- * Requires only 5" of depth when space is a concern
- * Chain control or motorization available.
- * Eliminates blackout light leak with optional channels. (as shown)



Side View

- 1. Top fascia cover - front
- 2. Top fascia cover - back
- 3. 2.5" side channel (2 pcs)
- 4. Screen fabric
- 5. BO fabric
- 6. Bottom fascia cover - front

- 7. Bottom fascia cover - back
- 8. Heavy duty manual clutch
- 9. Stainless steel chain
- 10. Tension device
- 11. Bottom roller mechanism
- 12. Top roller mechanism